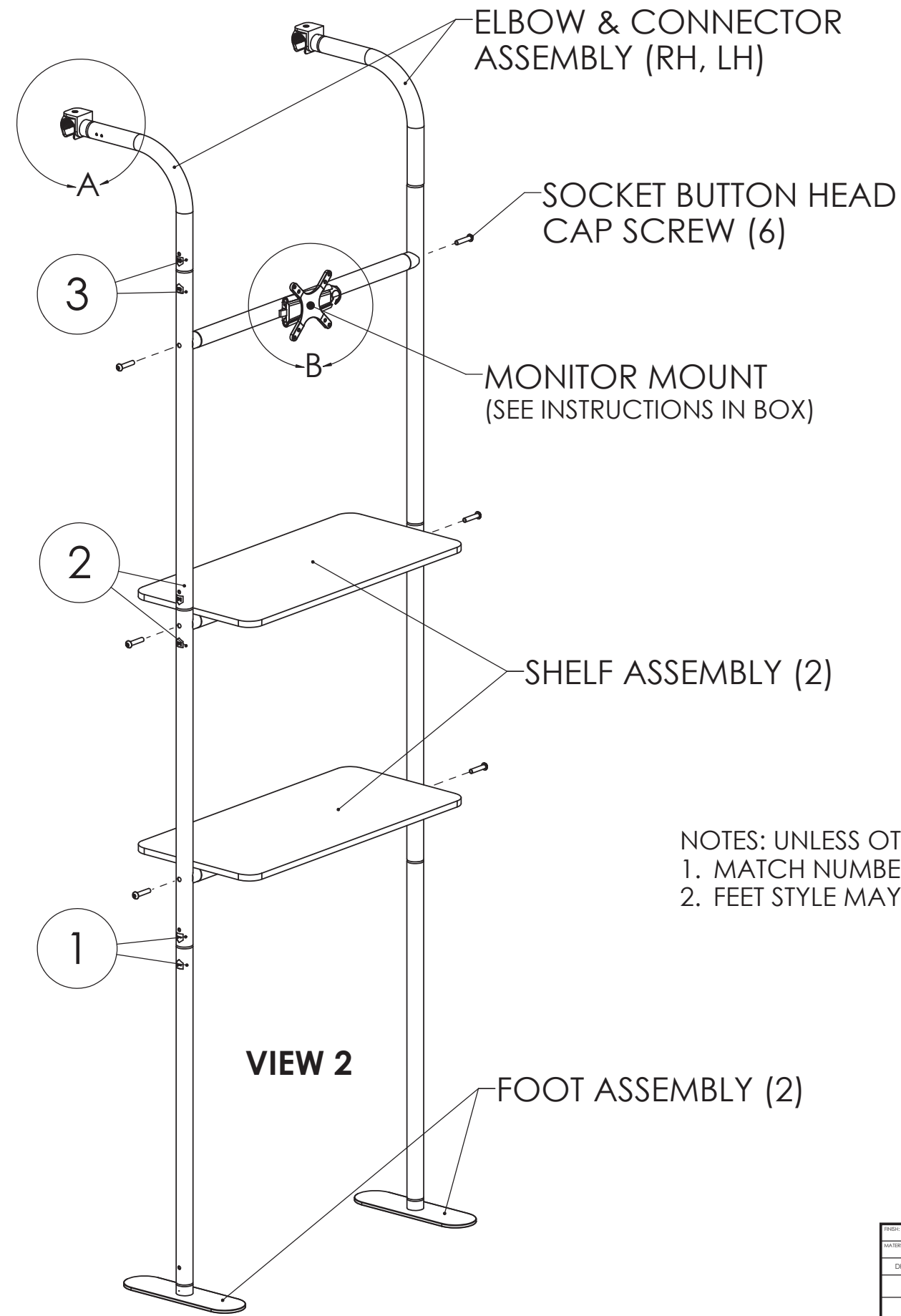


**VIEW 1**



**VIEW 2**

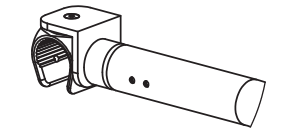
ELBOW & CONNECTOR ASSEMBLY (RH, LH)

SOCKET BUTTON HEAD CAP SCREW (6)

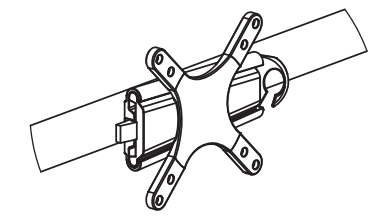
MONITOR MOUNT (SEE INSTRUCTIONS IN BOX)

SHELF ASSEMBLY (2)

FOOT ASSEMBLY (2)



DETAIL A  
CONNECTOR SLEEVE ASSEMBLY



DETAIL B  
MONITOR MOUNTING ASSEMBLY

NOTES: UNLESS OTHERWISE SPECIFIED  
1. MATCH NUMBERED LABELS AS SHOWN.  
2. FEET STYLE MAY VARY.

FINISH:		THIRD ANGLE PROJECTION		PROPERTY: THE DOCUMENT AND DATA DISCLOSED HEREIN OR HEREIN IS NOT TO BE REPRODUCED, USED, OR DISCLOSED IN WHOLE OR IN PART TO ANYONE WITHOUT PERMISSION OF NIEDO GROUP, INC.	
MATERIAL:		NIEDO GROUP, INC.		5465 SW WESTERN AVE. BEAVERTON, OR 97005	
DIMENSIONS ARE IN MILLIMETERS		TITLE		WAVE TUBE MODULAR WTM Z04 ASSEMBLY INSTRUCTIONS	
TOLERANCES UNLESS OTHERWISE SPECIFIED		SIZE		REV	
		B		A	
SCALE: 1:12		DO NOT SCALE DRAWING		SHEET 1 OF 1	