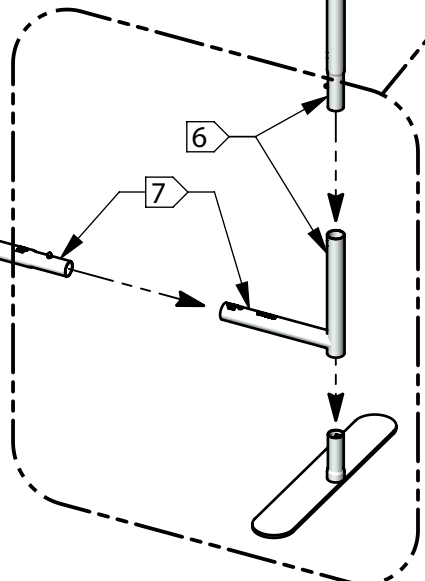
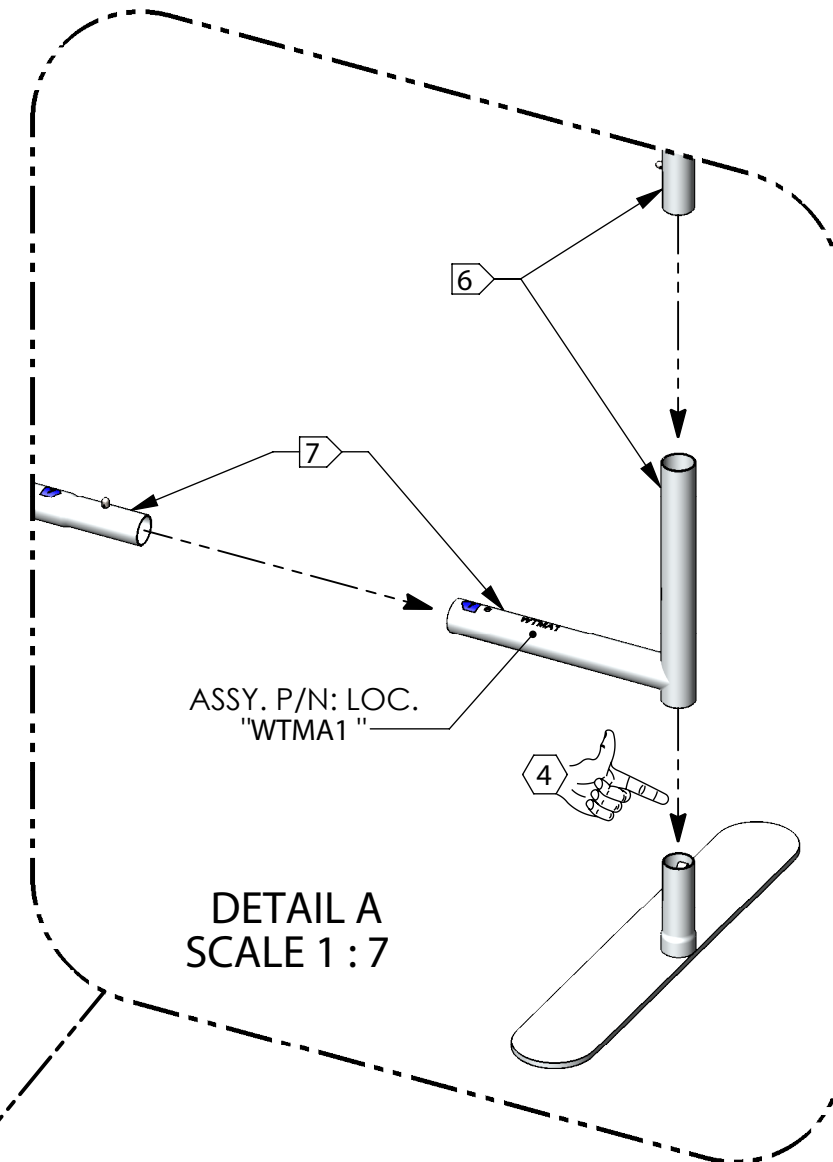
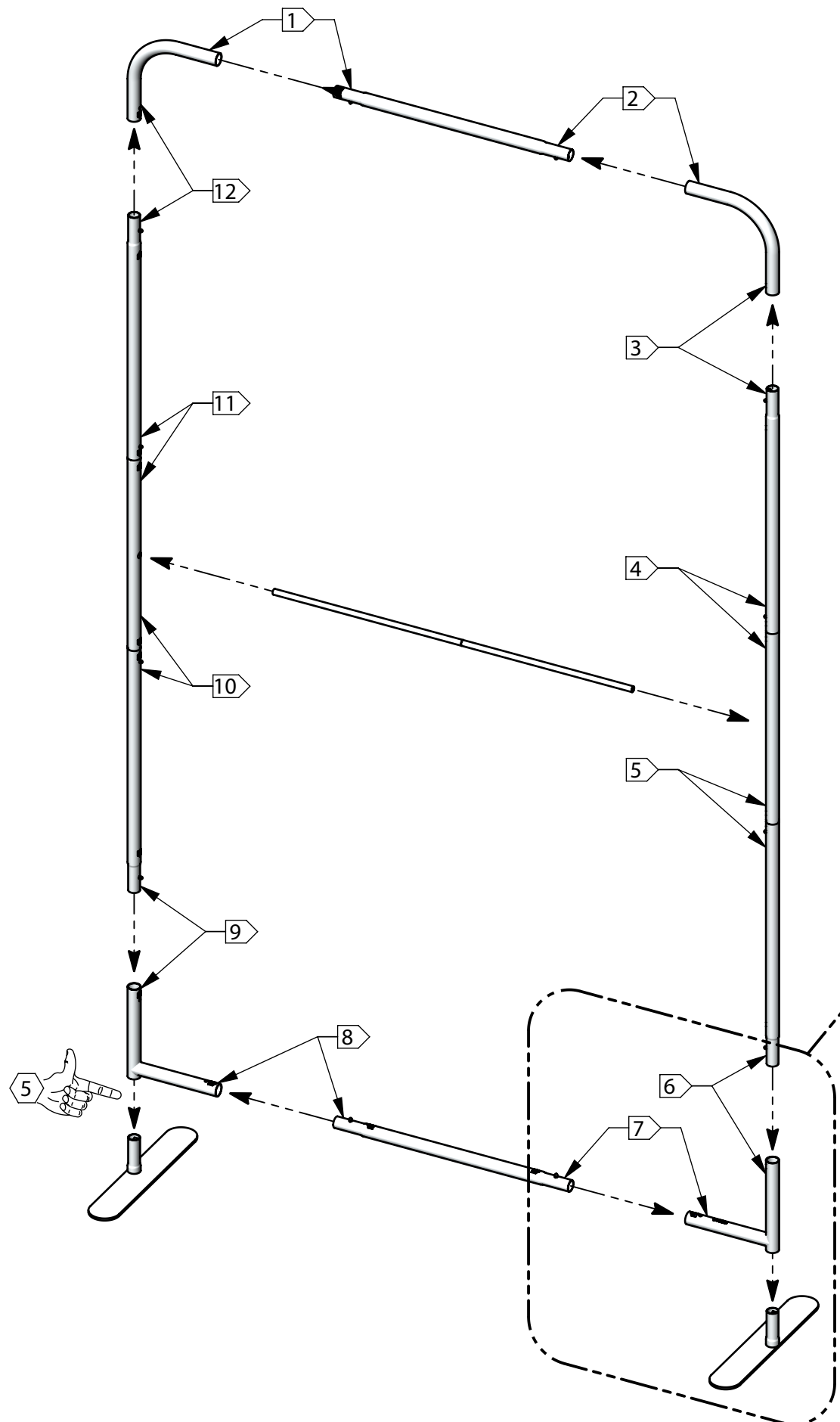


REVISIONS

REV	DESCRIPTION	ENGINEER	DATE
AA	INITIAL RELEASE	D. OWENS	11/09/17



NOTES: UNLESS OTHERWISE SPECIFIED:

1. ASSEMBLY TIME: 1 HOUR WITH 1 PERSON.
2. NUMBERED LOGOS TO MATCH THE CORRESPONDING NUMBERED LABELS ON EACH PART DURING ASSEMBLY.
3. FEET STYLE MAY VARY.
4. ASSEMBLE "6-7 L-BAR FOOT" TO "6-7 FOOT PAD".
5. ASSEMBLE "8-9 L-BAR FOOT" TO "8-9 FOOT PAD".

FINISH:		THIRD ANGLE PROJECTION		- PROPRIETARY - THIS DOCUMENT AND DATA DISCLOSED HEREIN OR HEREWITH IS NOT TO BE REPRODUCED, USED, OR DISCLOSED IN WHOLE OR IN PART TO ANYONE WITHOUT PERMISSION OF NIEDO GROUP, INC.	
MATERIAL: SEE B.O.M.		NIEDO GROUP, INC.		5465 SW WESTERN AVE. BEAVERTON, OR 97005	
DIMENSIONS ARE IN MILLIMETERS		TITLE WAVE TUBE MODULAR - 39" X 91" ASSEMBLY INSTRUCTIONS			
TOLERANCES UNLESS OTHERWISE SPECIFIED		SIZE B	DWG. NO. WTMA1	REV A	
SCALE: 1:14		DO NOT SCALE DRAWING		SHEET 1 OF 2	

REV A
DWG. NO. WTMA1