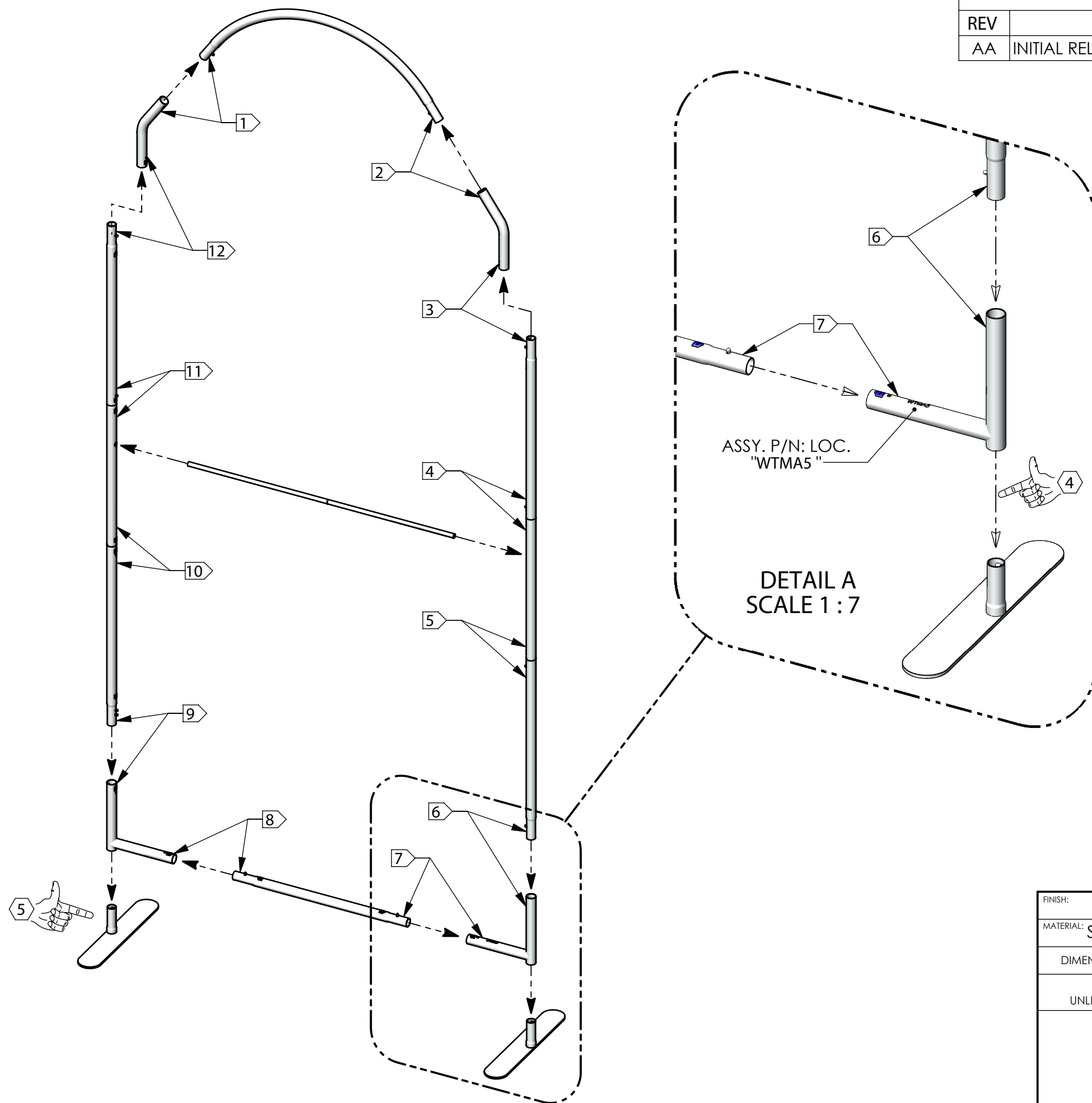


REVISIONS			
REV	DESCRIPTION	ENGINEER	DATE
AA	INITIAL RELEASE	D. OWENS	10/31/17



**NOTES: UNLESS OTHERWISE SPECIFIED:**

1. ASSEMBLY TIME: 1 HOUR WITH 1 PERSON.
2. NUMBERED LOGOS TO MATCH THE CORRESPONDING NUMBERED LABELS ON EACH PART DURING ASSEMBLY.
3. FEET STYLE MAY VARY.
4. ASSEMBLE "6-7 L-BAR FOOT" TO "6-7 FOOT PAD".
5. ASSEMBLE "8-9 L-BAR FOOT" TO "8-9 FOOT PAD".

FINISH:		THIRD ANGLE PROJECTION		- PROPRIETARY - THIS DOCUMENT AND DATA DISCLOSED HEREIN OR HERewith IS NOT TO BE REPRODUCED, USED, OR DISCLOSED IN WHOLE OR IN PART TO ANYONE WITHOUT PERMISSION OF NIEDO GROUP, INC.	
MATERIAL: SEE B.O.M.		NIEDO GROUP, INC.		5465 SW WESTERN AVE. BEAVERTON, OR 97005	
DIMENSIONS ARE IN MILLIMETERS		<b>WAVE TUBE MODULAR® - 39" X 101" - ASSEMBLY INSTRUCTIONS</b>			
TOLERANCES UNLESS OTHERWISE SPECIFIED					
SIZE	DWG. NO.	REV			
B	WTMA5	A			
SCALE: 1:14		DO NOT SCALE DRAWING		SHEET 1 OF 2	

REV A  
DWG. NO. WTMA5